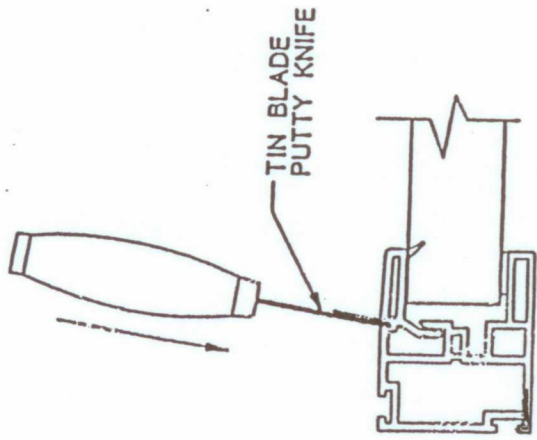
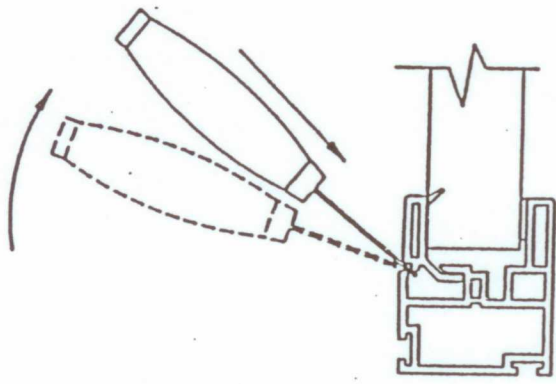


STEP BY STEP INSTRUCTIONS ON REGLAZING A PICTURE WINDOW

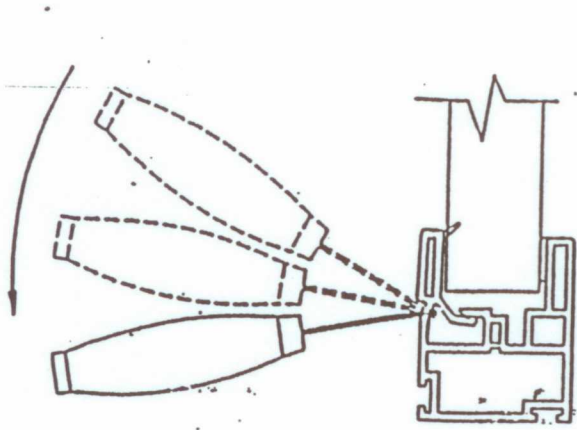
1. REMOVE GLAZING BEAD. REFER TO THE GLAZING BEAD REMOVAL DRAWING. (PAGE 2)
2. USE A SHARP BLADE AND WORK THE BLADE BETWEEN THE FRAME PROFILE AND GLASS. USE THE BLADE TO CUT THE GLAZING MATERIAL AWAY FROM THE FRAME MEMBER AND THE GLASS, WITH THE BLADE BETWEEN THE GLASS AND FRAME MEMBER, MOVE THE BLADE AROUND THE ENTIRE PERIMETER OF THE FRAME.
3. ONCE THE GLASS HAS BEEN CUT AWAY FROM THE FRAME, REMOVE THE GLASS FROM THE WINDOW.
4. CLEAN THE EXISTING ADHESIVE FROM THE WINDOW FRAME. (7D INDUSTRIES USES A ½ IN. CHISEL TO SCRAPE OFF THE ADHESIVE)
5. ONCE THE GLAZING AREA IS COMPLETELY CLEAR OF ADHESIVE, APPLY NEW GLAZING TAPE OR A SILICONE BEAD TO GLAZING AREA WITH 1/16 IN. OF TOP EDGE OF PROFILE.
6. ALSO RUN A DIAGONAL BEAD OF SILICONE DOWN EACH CORNER OF THE GLAZING AREA.
7. REPLACE OR REPOSITION THE GLAZING BLOCKS INTO THERE ORIGINAL POSITIONS.
8. SET THE GLASS INTO PLACE USING SLIGHT PRESSURE TO ADHERE THE GLASS TO THE WET GLAZING OR GLAZING TAPE.
9. ONCE THE GLASS IS SET INTO PLACE, TAKE THE GLAZING BEADS AND INSTALL THEM IN THE POSITION FROM WHICH THEY WERE REMOVED FROM. (USE A SMALL WOODEN OR SMALL RUBBER Mallet TO TAP THESE BEADS INTO THE FRAME OF THE WINDOW.)
10. GO TO THE OUTSIDE OF THE WINDOW AND RUN A SMALL BEAD OF SILICONE AROUND THE WINDOW WHERE THE GLASS AND THE FRAME MEMBER MEET.



STEP 1
INSERT BLADE AS SHOWN.



STEP 2
TILTING THE PUTTY KNIFE,
PUSH THE BLADE PAST THE
NUB ON THE GLAZING BEAD.



STEP 3
PULL THE PUTTY KNIFE IN
THE OPPOSITE DIRECTION.
THE GLAZING BEAD WILL THEN
COME OUT.